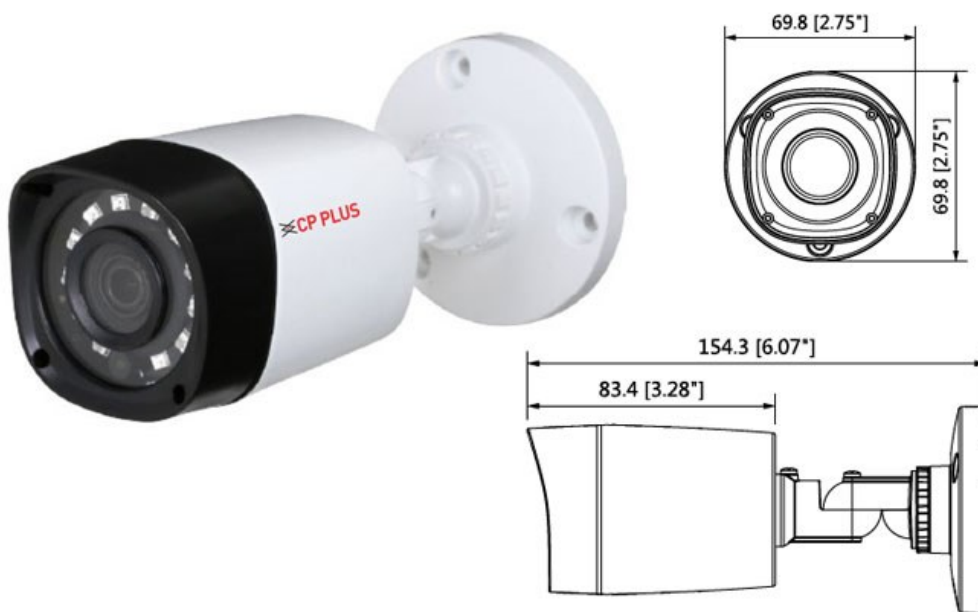


# CP- UVC-TA40L2

4 MP IR HDCVI Bullet Camera - 20 Mtr.



## Main Features

- 1/3" 4MP PS CMOS Image Sensor
- Max 30fps@4MP
- DWDR, Day/Night (ICR), 2D-DNR, AWB, AGC, BLC, HLC
- 3.6mm lens (2.8mm, 6mm optional)
- OSD Menu, control over coaxial cable, 2D-DNR
- IR Range of 20 Mtrs. , IP67
- HD and SD switchable



\*Product casing and specifications are subject to change without prior notice

# CP- UVC-TA40L2

## 4 MP IR HDCVI Bullet Camera - 20 Mtr.



### Feature

Image Sensor  
Minimum Illumination  
Effective Pixels  
Shutter Speed  
White Balance  
Gain Control (AGC)  
Lens  
Back Light Compensation  
S/N Ratio  
Video Streaming  
Video Output  
ICR  
OSD  
IR  
No. of IR LEDs  
Operating Temperature  
Power Source  
Power Consumption  
Weatherproof Standard  
Dimension  
Weight

### Specification

1/3" PS CMOS  
0.03Lux/F2.0, 30IRE, 0Lux IR on  
2560x1440 , 4MP  
PAL: 1/25~1/100000s NTSC: 1/30~1/100000s  
Auto / Manual  
Auto/Manual  
3.6mm (2.8mm, 6mm Optional)  
BLC / HLC / DWDR  
More than 65dB  
25/30fps@4MP, 25/30fps@1080P, 25/30fps@720P  
1-channel BNC high definition video output / CVBS video output (Can switch)  
Auto (ICR) / Manual  
Multi-language  
IR Range of 20 Mtr.  
12pcs  
-40°C~+60°C / Less than 90%RH  
12V DC ±25%  
Max 3.2W (12V DC, IR on)  
IP67  
154.3mm x 69.8mm x 69.8mm  
0.15 kg